



**RAFFLES GIRLS' PRIMARY SCHOOL
END-OF-YEAR EXAMINATION 2022
MATHEMATICS
PRIMARY 4**

Name: _____ ()

Math Teacher: _____

Form Class: P4 _____

Date: 26 October 2022

Duration: 1 h 45 min

Your Score	
Section A (Out of 25 marks)	
Section B (Out of 40 marks)	
Section C (Out of 35 marks)	
Overall (Out of 100 marks)	

INSTRUCTIONS TO CANDIDATES

1. Do not turn over this page until you are told to do so.
2. Follow all instructions carefully.
3. Answer **ALL** questions and show all working clearly.

SECTION A (25 marks)

Questions 1 to 5 carry 1 mark each. Questions 6 to 15 carry 2 marks each. For each question, four options are given. One of them is the correct answer. Make your choice (1, 2, 3 or 4). Shade your answer (1, 2, 3 or 4) on the OAS provided.

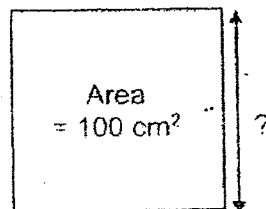
1. The value of the digit 5 in 57 349 is _____.

- (1) 50
- (2) 500
- (3) 5000
- (4) 50 000

2. Which of the following is **not** a factor of 56?

- (1) 6
- (2) 7
- (3) 14
- (4) 28

3. Find the length of the square.

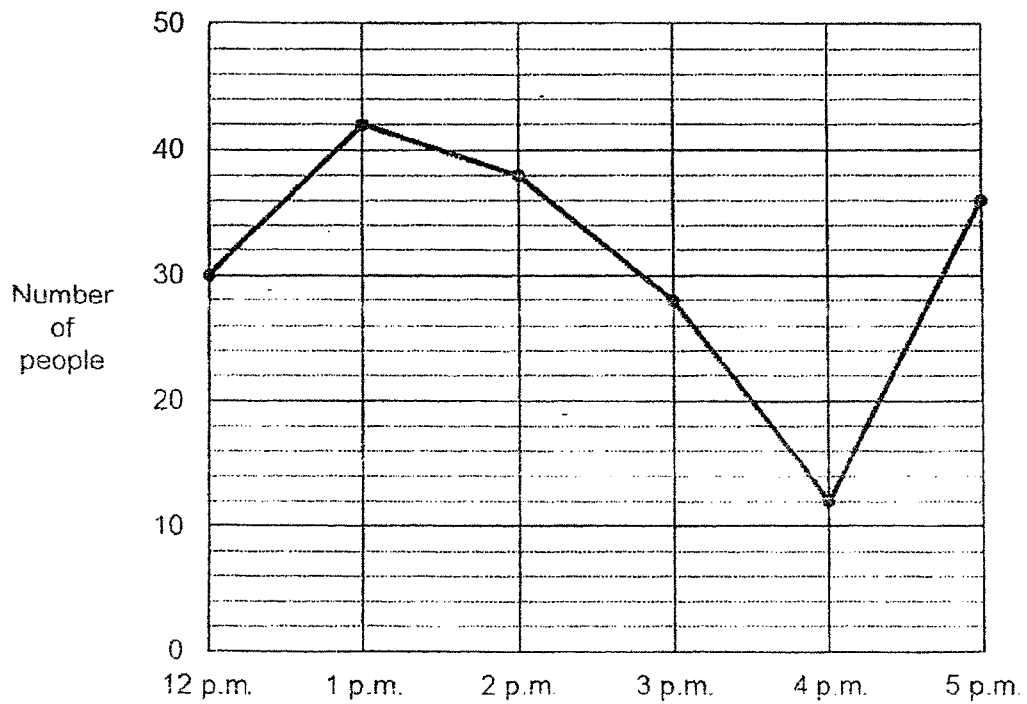


- (1) 10 cm
- (2) 25 cm
- (3) 40 cm
- (4) 50 cm

4. 4 min 45 s = _____

- (1) 49 s
- (2) 69 s
- (3) 285 s
- (4) 445 s

5. The line graph shows the number of people in a cafe on a Sunday.



What was the decrease in the number of people from 3 p.m. to 4 p.m.?

- (1) 8
- (2) 12
- (3) 13
- (4) 16

6. $5\frac{2}{3} = \frac{\square}{3}$

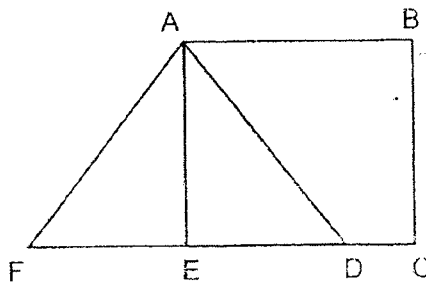
What is the missing number in the box?

- (1) 10
- (2) 13
- (3) 15
- (4) 17

7. In the number 97.85, the digit _____ is in the tenths place.

- (1) 5
- (2) 7
- (3) 8
- (4) 9

8. In the figure, which two lines below are perpendicular?



- (1) AB and AD
- (2) AB and FC
- (3) AD and AF
- (4) AE and ED

9. Arrange the following decimals from the smallest to the greatest.

5.8 , 0.58 , 5.08 , 0.85


(smallest) (greatest)

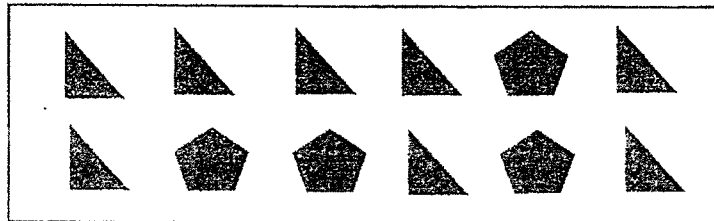
(1) 0.58 , 0.85 , 5.08 , 5.8

(2) 0.85 , 0.58 , 5.08 , 5.8

(3) 0.58 , 5.8 , 5.08 , 0.85

(4) 0.85 , 0.58 , 5.8 , 5.08

10. What fraction of the shapes in the box are  ?



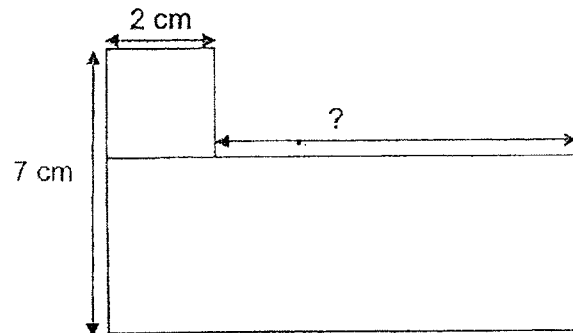
(1) $\frac{4}{6}$

(2) $\frac{4}{12}$

(3) $\frac{8}{4}$

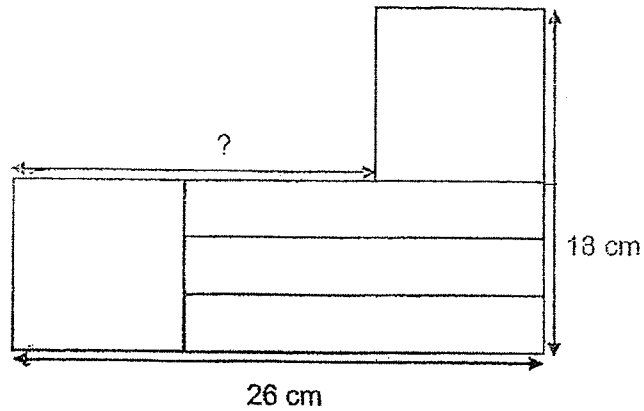
(4) $\frac{8}{12}$

11. The figure is made up of a square and a rectangle. The area of the rectangle is 60 cm^2 . What is the length of the unknown side?



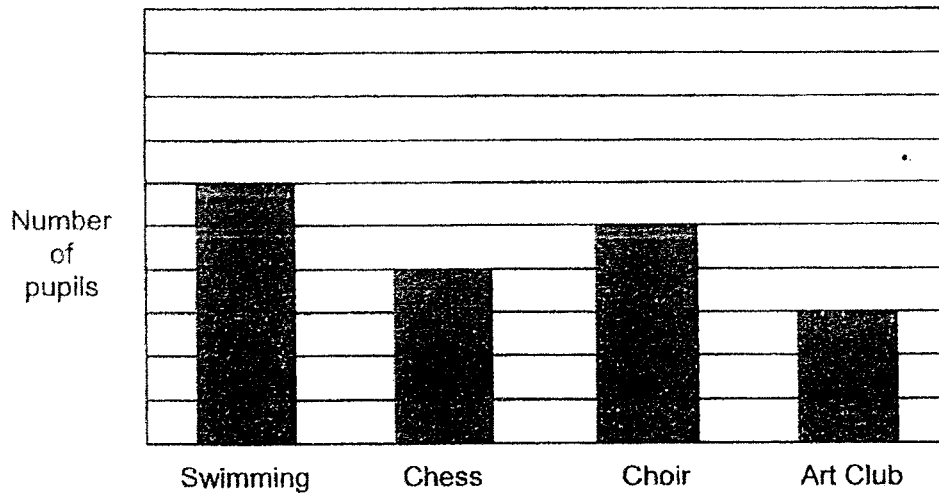
- (1) 5 cm
(2) 10 cm
(3) 12 cm
(4) 13 cm
12. A glass can hold 0.4 l of water. 9 such glasses are needed to fill 2 jugs to the brim. What is the capacity of 1 jug?
- (1) 0.18 l
(2) 0.36 l
(3) -1.8 l
(4) 3.6 l

13. The figure is made up of 2 identical squares and 3 identical rectangles. What is the length of unknown side?



- (1) 8 cm
(2) 9 cm
(3) 17 cm
(4) 18 cm
14. The chairs in a theatre were arranged equally in rows. There were 11 rows of chairs. Mark sat at the fourth row. 7 people were seated on his right and 9 people were seated on his left. How many chairs were there in the theatre?
- (1) 27
(2) 176
(3) 187
(4) 693

15. The graph shows some pupils and the CCA that they have chosen.



The number of pupils who chose Art Club CCA was 12 fewer than the pupils who chose Choir CCA. How many pupils were there altogether?

- (1) 18
- (2) 54
- (3) 72
- (4) 108

SECTION B (40 marks)

Questions 16 to 35 carry 2 marks each. Write your answers in the spaces provided. For questions which require units, give your answers in the units stated. All diagrams are not drawn to scale.

16. Arrange the following numbers from the greatest to the smallest.

138 , 813 , 831 , 183

Ans: _____ , _____ , _____ , _____
(greatest) (smallest)

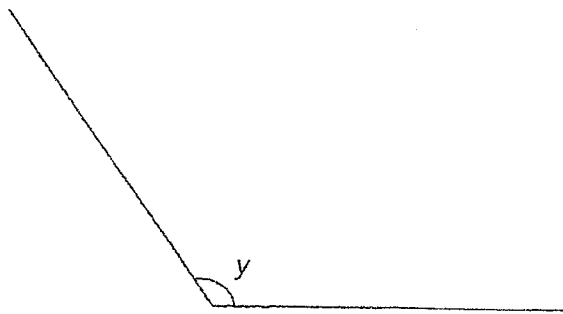
17. Write $\frac{46}{7}$ as a mixed number.

Ans: _____

18. $2811 + 579 =$ _____

Ans: _____

19. Measure and write down the size of $\angle y$



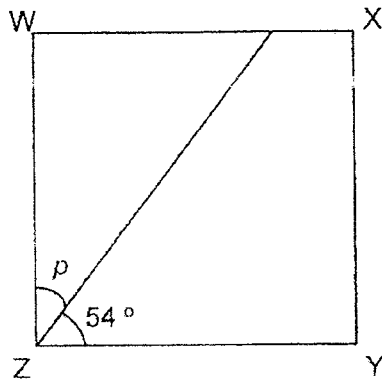
Ans: _____ °

20. What is the value of $\frac{5}{6} + \frac{1}{3}$?

Express your answer as a mixed number.

Ans: _____

21. WXYZ is a square. Find $\angle p$.



Ans: _____°

22. $9.31 - 5.46 =$ _____

Ans: _____

23. Which two of the fractions below are smaller than $\frac{1}{2}$?

$$\frac{2}{11} \quad , \quad \frac{3}{10} \quad , \quad \frac{4}{8} \quad , \quad \frac{5}{7}$$

Ans: _____ and _____

24. Express 0.7 as a fraction.

Ans: _____

25. Draw $\angle PQR = 105^\circ$ using the given line. Mark and label the angle.



26. Mrs Li is 37 years old. Her husband is 3 years older than her. Their son is 29 years younger than Mrs Li. What is their total age?

Ans: _____

27. 3 cupcakes cost \$2.95. How much do 12 cupcakes cost?



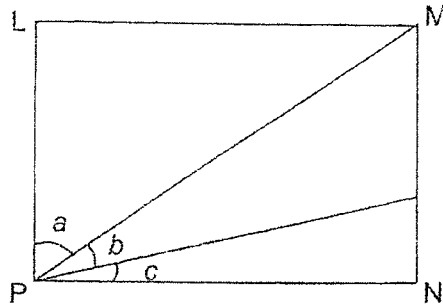
3 cupcakes for \$2.95

Ans: \$ _____

28. Raju took 9 h 20 min to drive from Singapore to Kedah. He reached Kedah at 06 10. What time did Raju start driving from Singapore?
Express your answer in 24-hour clock.

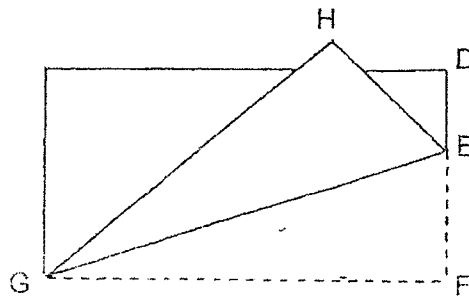
Ans: _____

29. LMNP is a rectangle. $\angle a$ is three times the size of $\angle b$. $\angle b$ is twice the size of $\angle c$. Find the value of $\angle a$.



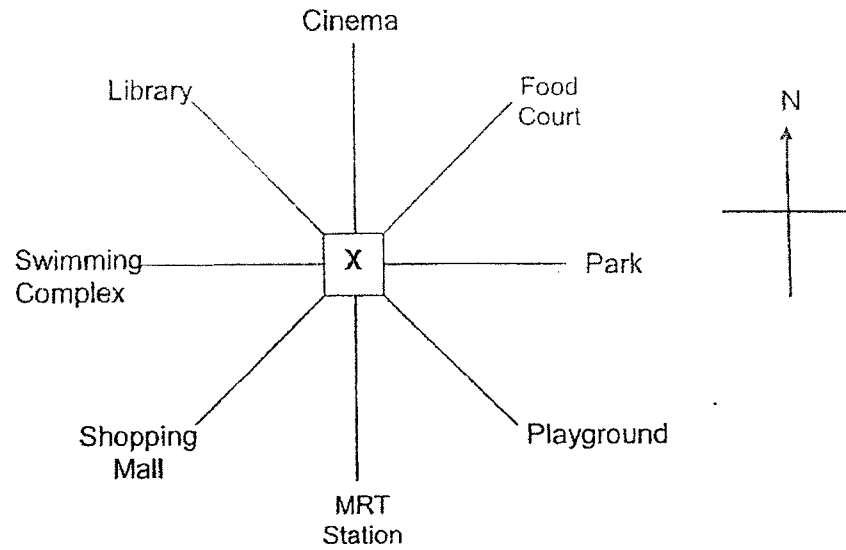
Ans: _____^o

30. A rectangular piece of paper with an area of 108 cm^2 was folded as shown. DE is 3 cm and HE is 6 cm. Find the length of GH.



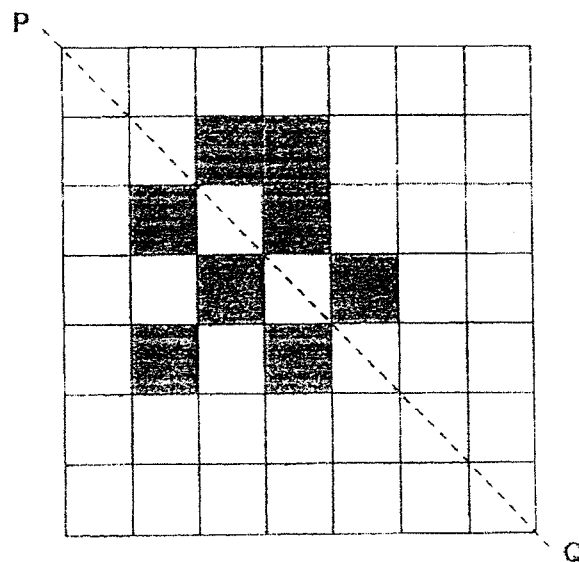
Ans: _____ cm

31. Bala is standing at point X facing the playground. He turns through an angle of 135° in the anti-clockwise direction. Where will Bala be facing after the turn?



Ans: _____

32. PQ is the line of symmetry. Shade only 2 more squares to make the figure symmetrical.



33. The table shows the number of siblings that the pupils in 5A have.

Number of siblings	Number of pupils in 5A
0	9
1	15
2	8
3	7
4	5

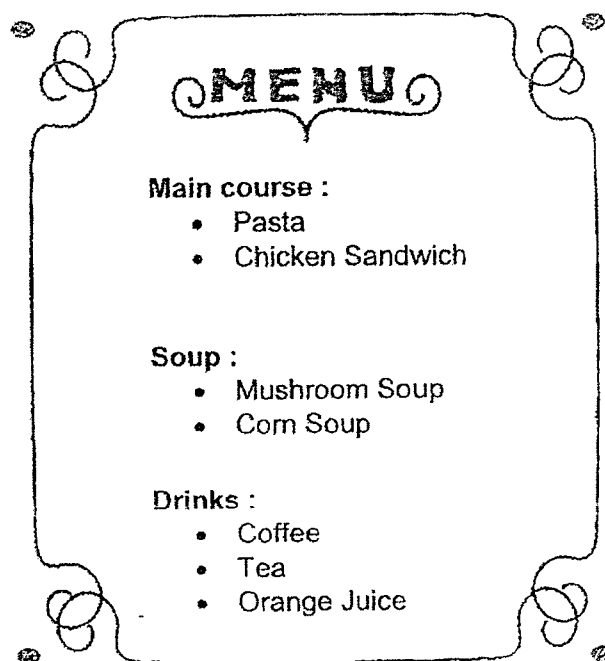
How many pupils have at least 2 siblings?

Ans: _____

34. Mrs Goh bought a dress and 2 skirts for \$250. The dress cost \$71.50 more than a skirt. How much was the cost of 1 skirt?

Ans: \$ _____

35. The lunch set meal at a restaurant allows customers to choose a set that consists of a main course, a soup and a drink. The main courses are pasta and chicken sandwich. The soups are mushroom soup and corn soup. The drinks are coffee, tea and orange juice. How many different combinations of lunch set meals are available for the customers to choose?



Ans: _____

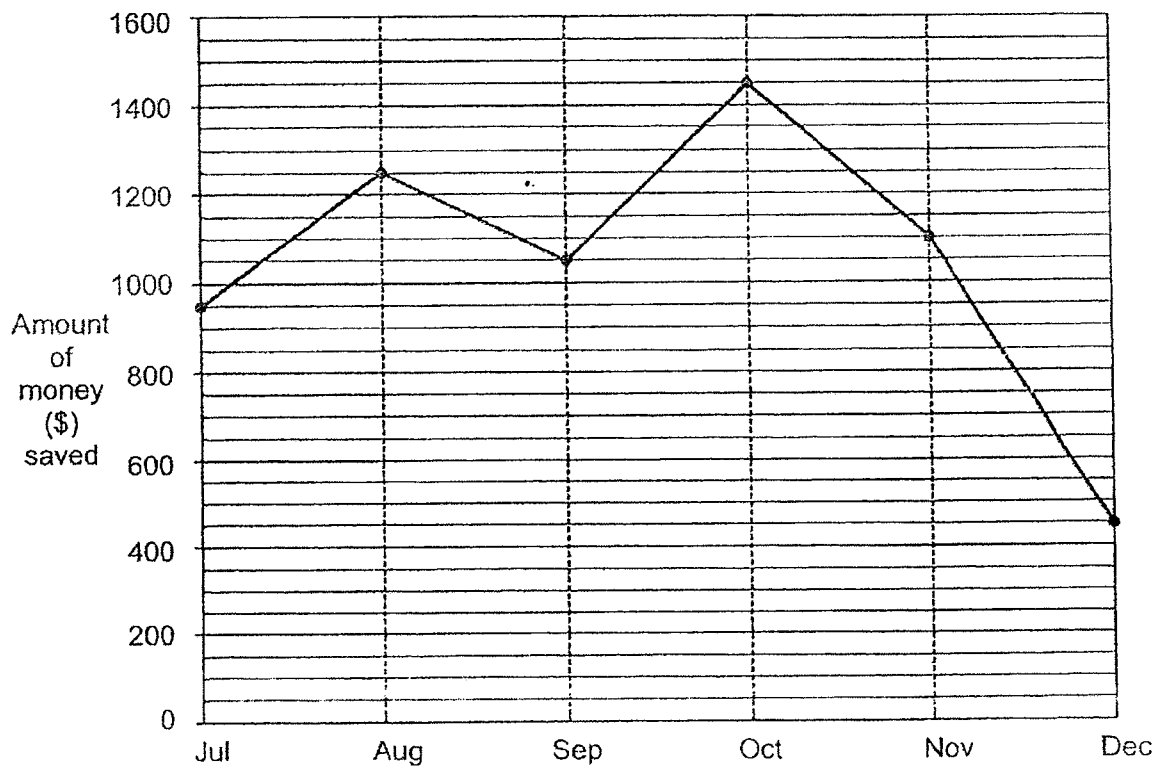
SECTION C (35 marks)

For questions 36 to 44, show your working clearly in the space provided below each question and write your answers with suitable units in the spaces provided. All diagrams are not drawn to scale. Marks will be awarded for relevant working. The number of marks available is shown in brackets [] at the end of each question or part-question.

36. A pen cost \$1.20 and a ruler cost \$0.40. Sue bought 5 pens and 5 rulers.
How much more did she pay for the pens than the rulers?

Ans: _____ [3]

37. The line graph shows the amount of money Dave saved each month.

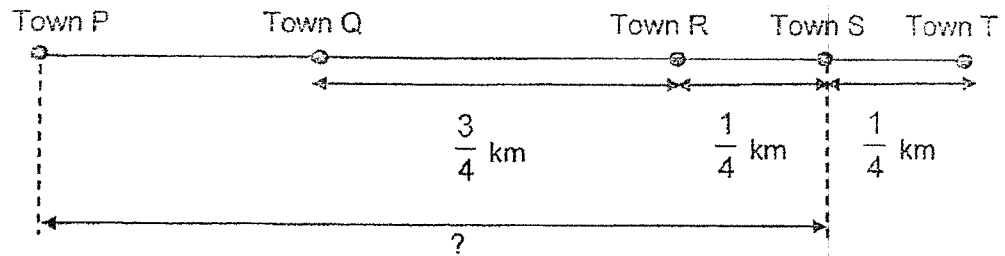


- (a) How many months did Dave save more than \$1000?
(b) How much did Dave save from October to December?

Ans: (a) _____ [1]

(b) _____ [2]

38. The figure shows the distances between Towns P, Q, R, S and T. The distance between Town P and Town Q is $\frac{1}{6}$ km shorter than distance between Town Q and Town R. What is the distance between Town P and Town S?
(Give your answer as a mixed number in its simplest form.)



Ans: _____ [3]

39. The journey from Rahman's house to Changi Airport by bus would take 1 h 50 min. The same journey by MRT would take 35 minutes shorter than by bus.

(a) What is the duration of the journey from Rahman's house to the Changi Airport by MRT?

(b) Rahman left his house and took the MRT at 22 50. He reached Changi Airport 2 h 55 min before his flight. What time is his flight?
Express your answer using the 24-hour clock.

Ans: (a) _____ [1]

(b) _____ [3]

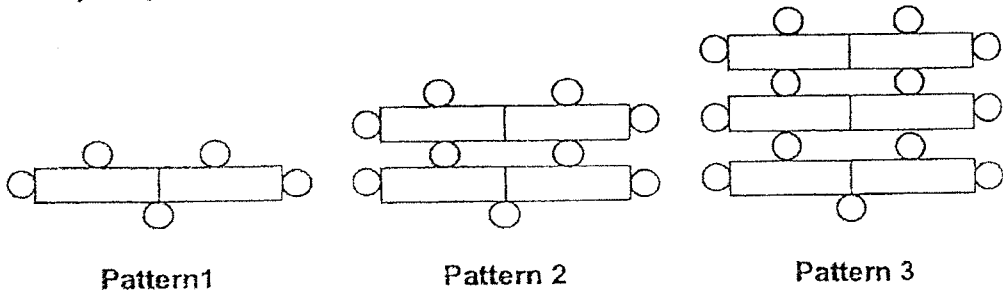
40. The total mass of an empty box and 5 similar metal balls was 2.6 kg. The total mass of the same empty box and 3 similar metal balls was 2.34 kg.

- (a) What was the mass of 1 metal ball?
- (b) What was the mass of the empty box?

Ans: (a) _____ [2]

(b) _____ [2]

41. Study the patterns below.



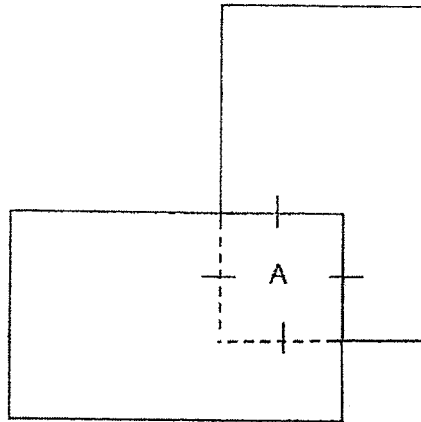
Pattern	Rectangles	Circles	Total Shapes
1	2	5	7
2	4	9	13
3	6	13	19
⋮	⋮	⋮	⋮

- (a) What is the total number of rectangles in Pattern 8?
- (b) If the pattern has a total of 133 shapes, how many circles does it have?

Ans: (a) _____ [1]

(b) _____ [3]

42. The figure is made up of two identical rectangles overlapping each other, forming Square A. The area of Square A is 9 cm^2 and the area of each rectangle is 50 cm^2 . The length of the rectangle is twice its breadth. Find the perimeter of the figure.



Ans: _____ [4]

43. Mrs Lim baked 300 fruit tarts. $\frac{1}{2}$ of them were pineapple tarts, $\frac{2}{5}$ of them were strawberry tarts and the remaining were mango tarts.
- a) How many mango tarts did she bake?
 - b) Mrs Lim sold the pineapple and strawberry tarts at 5 for \$9. How much would Mrs Lim collect from her sale of all the pineapple and strawberry tarts?

Ans: (a) _____ [2]

(b) _____ [3]

44. Siti had 604 more stamps than Tom. After Siti had given 902 stamps to Tom, he had 4 times as many stamps as her. How many stamps did Tom have at first?

Ans: _____ [5]

- End of Paper -

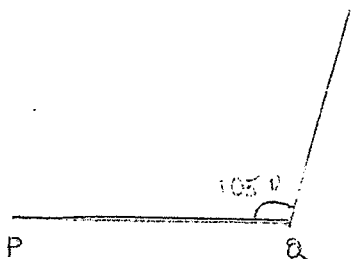
PAGE 25

YEAR : 2022
 LEVEL : PRIMARY 4
 SCHOOL : RAFFLES GIRLS' PRIMARY SCHOOL
 SUBJECT : MATHEMATICS
 TERM. : END OF YEAR EXAMINATION

PAPER 1 (BOOKLET A)

Q1	4	Q2	1	Q3	1	Q4	3	Q5	4
Q6	4	Q7	3	Q8	4	Q9	1	Q10	4
Q11	2	Q12	3	Q13	3	Q14	3	Q15	4

(BOOKLET B)

Q16	831, 813, 183, 138
Q17	$\frac{46}{7} = 6\frac{4}{7}$
Q18	3390
Q19	126^0
Q20	$\frac{1}{3} = \frac{2}{6}$ $\frac{5}{6} - \frac{2}{6} = \frac{3}{6}$ $= 1\frac{1}{6}$
Q21	$90 - 54 = 36^\circ$
Q22	3.85
Q23	$\frac{2}{11}$ and $\frac{3}{10}$
Q24	$\frac{7}{10}$
Q25	
Q26	$37 + 3 = 40$ (Li's husband) $37 - 29 = 8$ (Li's son) $37 + 40 + 8 = 37 + 48$ $= 85$
Q27	$12 \div 3 = 4$ $2.95 \times 4 = \$11.80$
Q28	20 50
Q29	$90 \div 9 = 10$ $10 \times 6 = 60^\circ$

Q30	$6 + 3 = 9$ $12 \times 9 = 108$ $GF = GH$ Ans: 12cm
Q31	Cinema
Q32	
Q33	$8 + 7 = 5 = 12 + 8$ $= 20$
Q34	$250 - 71.50 = 178.50$ $178.50 \div 3 = \$59.50$
Q35	MC : S : D 1. P : M : C 2. P : M : T 3. P : M : O 4. P : C : C 5. P : C : T 6. P : C : O $6 \times 2 = 12$ combination
Q36	pen : (6) $1.20 \times 6 = 7.20$ ruler : (5) $0.40 \times 5 = 2.00$ difference $7.20 - 2.00 = \$5.20$
Q37	a) 4 b) $1450 + 110 + 450 = 1450 + 1550$ $= \$3000$
Q38	$\frac{1}{3} = \frac{4}{12}$ $\frac{2}{3} = \frac{8}{12}$ $\frac{4}{6} = \frac{8}{12}$ $\frac{14}{18} = \frac{14}{18}$ $\frac{24}{24} - \frac{4}{24} = \frac{20}{24}$ $\frac{14}{24} + \frac{18}{24} + \frac{6}{24} = \frac{14}{24} + \frac{24}{24}$ $= \frac{38}{24}$ $= 1\frac{7}{12}$ km
Q39	a) $50 - 35 = 15$ 15 X 100 b) 03 00
Q40	a) $1 \text{ mb} : 0.26 \div 2 = 0.13\text{kg}$ b) $0.26 + 0.13 = 0.39$ $2.34 - 0.39 = 1.95\text{kg}$

Q41	a) $8 \times 2 = 16$ b) $133 - 1 = 132$ $132 \div 6 = 22$ sets of rectangle and 4 circles = 6 shapes $88 + 1 = 89$
Q42	$3 \times 3 = 9$ $50 \div 2 = 25$ $5 \times 5 = 10$ $10 \times 2 = 20$ $10 - 3 = 7$ $10 + 10 + 7 + 7 + 2 + 5 + 5$ = 48cm
Q43	a) $300 \div 2 = 150$ $300 \div 5 = 60$ $60 \times 2 = 120$ $150 + 120 = 270$ $300 - 270 = 30$ mango b) $5 + 4 = 9$ 1u : 30 9u : 30×9 = 270 $270 \div 5 = 54$ $54 \times 9 = \$486$
Q44	$902 - 604 = 298$ 3u : $298 + 902 = 1200$ 1u : $1200 \div 3 = 400$ $400 + 298 = \$698$

